

INSTALLATION INSTRUCTIONS



Pro Style Remote Blowers(RB)

Intended for Domestic Cooking Only

READ AND SAVE THESE INSTRUCTIONS

**Installer: Leave this manual with homeowner
Homeowner: Use and Care Information inside**

Prestige America
25 Riverside Drive, Ste. 4
Pine Brook, NJ 07058

- READ AND SAVE THESE INSTRUCTIONS -

Table of Contents

Installation Instructions.....	1
Wall Installation.....	2-3
Remote Blower Dimensions.....	4
Warranty Information.....	5



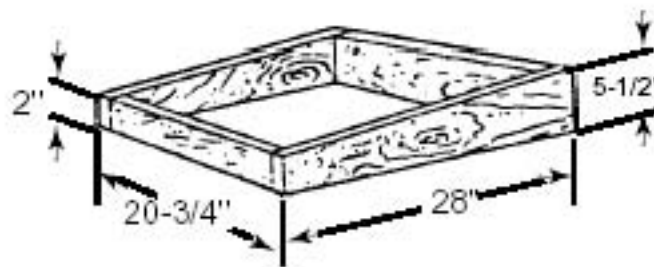
PRESTIGE PRODUCTS DIVISION
Signature Marketing Group LTD.
25 Riverside Drive
Pine Brook, NJ 07058
1-800-358-8886

INSTALLATION INSTRUCTIONS

CAUTION: FOR VENTILATION USE ONLY. DO NOT USE TO EXHAUST HAZARDOUS OR EXPLOSIVE MATERIALS OR VAPORS. PLEASE CHECK TO SEE IF THE VENTILATION WHEEL TURNS FREELY BEFORE INSTALLATION!

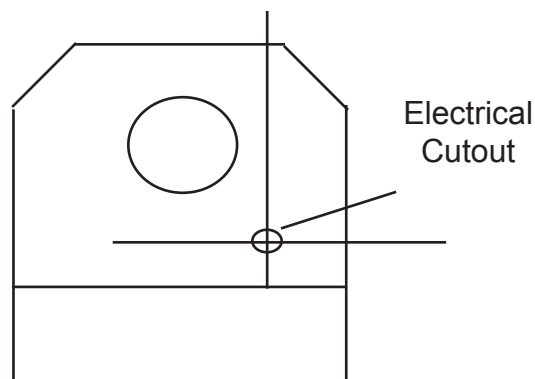
- 1.) Find a location for the fan that requires a minimum of ducting.
- 2.) The slope of the roof should have a pitch of at least 2/12. If the pitch is less or if the roof is flat, a curb should be installed to provide the minimum pitch. (Fig. A)

Fig A.



- 3.) Drill a pilot hole from the attic that is located on the centerline between two rafters.
- 4.) Cut a circular hole 1/2" larger than the diameter of the starter collar into the roof decking.
- 5.) Drill a hole 1 1/4" into the roof-deck to allow the electrical wires to be pulled into the electrical box mounted on the inside of the remote blower housing. (See Fig. B)

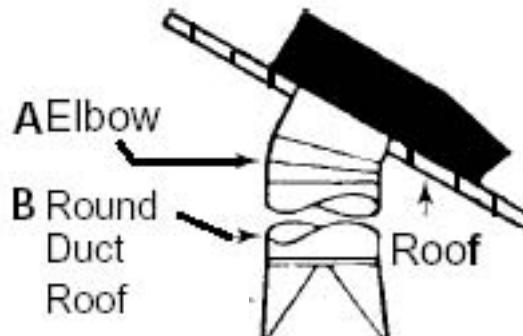
Fig. B



INSTALLATION INSTRUCTIONS

6.) Attach a metal starter collar to the underside of the roof-mounting plate. Insert the starter collar into the hole in the roof decking. (Fig. C)

Fig. C



WALL INSTALLATION

1.) Select a location on the outside wall.

***BLOWER DISCHARGE MUST HAVE AT LEAST 18" OF CLEARANCE FROM GROUND LEVEL OR ANY OTHER OBSTRUCTION.**

2.) Make sure that there are no obstructions in the wall. (ie pipes, electrical wires, etc.) that interfere with the path of ducting.

3.) Drill a pilot hole from the outside that is located on the centerline between the two studs.

4.) Cut a circular hole 1/2" larger than the diameter of the starter collar into the siding.

5.) Drill a hole 1 1/4" into the siding to allow the electrical wires to be pulled into the electrical box, mounted on the inside of the remote blower housing.

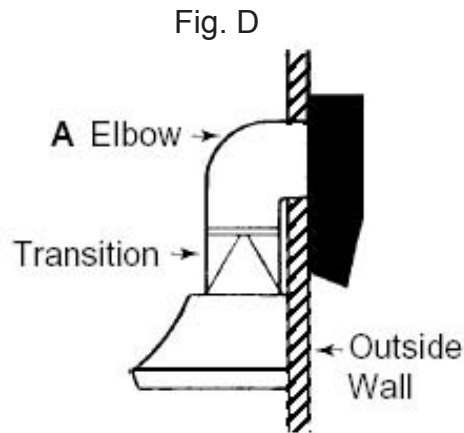
6.) Attach the metal starter collar to the underside of the wall-mounting plate. Insert the starter collar into the circular hole in the siding.

7.) Remove the cover of the blower housing and align the hole for the electrical wires with the hole in the electric box.

INSTALLATION INSTRUCTIONS (WALL INSTALLATION)

8.) Screw the flange of the blower housing to the wall board using #8 flat-head screws.

9.) Make sure that the blower discharge is not exposed to the prevailing wind direction and is pointing downward. (Fig D)



10.) Have a qualified siding contractor waterproof the connection between the wall and the housing.

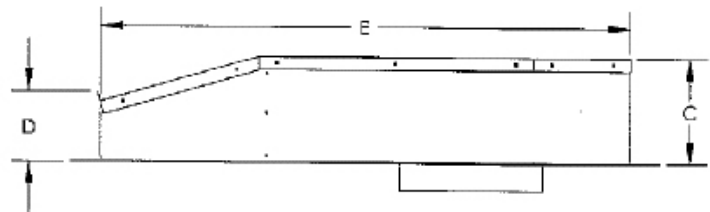
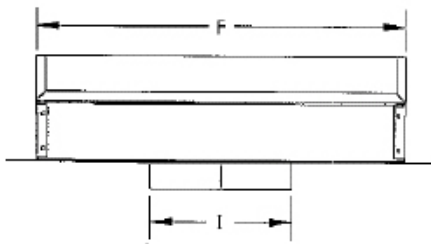
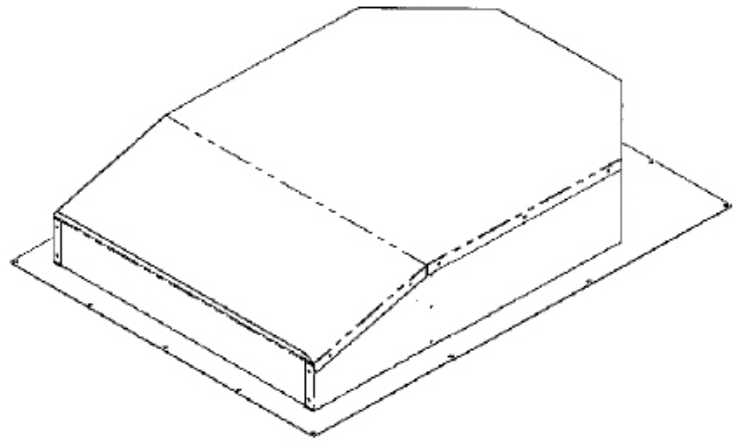
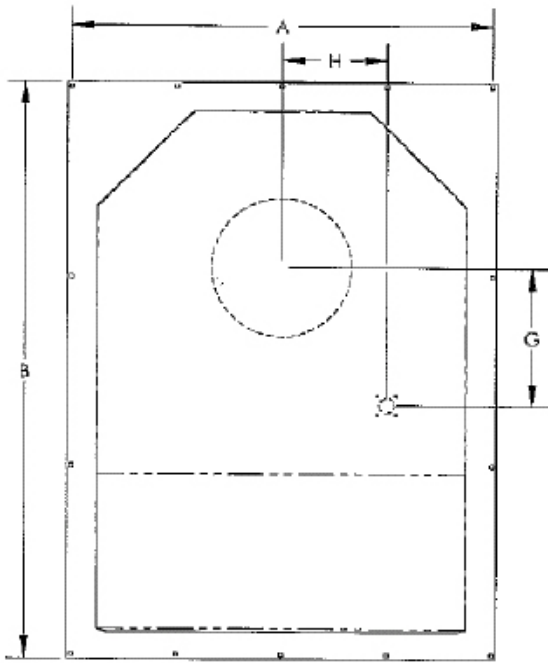
11.) Have a licensed electrician connect the wires from the hood to the remote blower.

12.) Before closing the fan cover, make sure that the back draft damper is working and that no obstruction hinders the movement of the blower.

13.) Switch the power on and test the blower operation.

14.) Finish the ductwork inside.

REMOTE BLOWER DIMENSIONS



MODEL	A	B	C	D	E	F	G	H	I	RUN AMP
RB1000	24	33.5	6	4	30	21	8	3	8	3
RB1200	24	33.5	10	8	30	21	9	3	10	4
RB1600	24	33.5	10	8	30	21	9	3	10	4
RB2000	27	33.5	12	10	30	24	10	7	12	5
RB2500	27	33.5	12	10	30	24	10	7	12	6.5

* ALL UNITS WILL REQUIRE 115 VOLT 15 AMP CIRCUIT. *

Warranty Information

Prestige Remote Blowers are warranted to be free from defects in materials and workmanship, under normal household use for the period of:

One (1) Year

Prestige will replace all parts that fail during the one (1) year warranty period, free of charge, on product when it is located within the United States. This applies only to the actual parts and excludes all other costs, including labor, removal and re-installation.

The main motor is warranted for a period of:

One (1) Year

Prestige will replace any motor that fails within the one (1) year warranty, free of charge, on product when it is located within the United States. This applies only to the motor itself and excludes all other costs, including labor, removal and re-installation. This warranty does not apply to damage resulting from commercial use, abuse, accident, natural disasters or electrical surge to the unit. Prestige will not be responsible for consequential damages.



PRESTIGE PRODUCTS DIVISION
Signature Marketing Group LTD.
25 Riverside Drive
Pine Brook, NJ 07058
1-800-358-8886

